

PRODUCT SELECTION GUIDE



PLCs



Micro Modular PLC System

Flexible IO PLCs

Fixed IO PLCs System

PLC Accessories

VFDs & HMI



Variable Frequency Drives

Human Machine Interface

INDUSTRIAL POWER SUPPLY



Rail Mount

Surface Mount

Accessories

MIBRX SERIES-MICRO MODULAR PLC SYSTEM	3
MiBRX Series-Rail Mount	
MiBRX Series-Panel Mount	
MiBRX Series-Independent Display	
MiBRX Series-Miniature IO Cards	
FLEXYS SERIES-FLEXIBLE IO PLC SOLUTION	6
Flexys Series-Panel Mount	
Flexys Series-Rail Mount	
Flexys Series-IO Cards	
FIXED IO SERIES	7
Fixed IO Series-UNIX & TWIX	
Fixed IO Series-DIGIX & MM3032	
HUMAN MACHINE INTERFACE	8
VARIABLE FREQUENCY DRIVES (VFD)	9
Selec Range of VFDs	
Atsel Range of VFDs	
POWER SUPPLY	11
Din Rail Series Power Supply	
Table Top Series Power Supply	
ACCESSORIES	13
Relay Module	
Data Converters	
Communication Adapters & Cables	
DIMENSION	14



2M
90(H) x 35(W) x 60(D)mm



4M
90(H) x 70(W) x 66.4(D)mm



6M
90(H) x 105(W) x 66.4(D)mm

FEATURES	<ul style="list-style-type: none"> • Flexible IO card selection with 2 slots • RTC with time switch functions (optional) 		<ul style="list-style-type: none"> • Flexible IO card selection with 4 slots • Modbus expandable • RTC with time switch functions 		<ul style="list-style-type: none"> • Flexible IO card selection with 6 slots • Modbus expandable • RTC with time switch functions 	
	Micro modular PLC with pluggable displays					
DISPLAY TYPE	7 segment LED		LCD with blue backlight & white font	7 segment LED		LCD with blue backlight & white font
DIGITS	4 red	1 red	2 lines x 8 characters (font size 5x7mm)	1 red	2 lines x 8 characters (font size 5x7mm)	
LED BANKS	6 red LED		---	6 red LED		---
NO. OF KEYS	3 keys (2 user configurable)		1 key	5 keys (4 user configurable)		1 key
SUPPLY VOLTAGE	18 to 30V AC		18 to 30V DC	90 to 270V AC		18 to 30V DC
DIGITAL INPUTS	3		4+1*	10+1*		12
INPUT TYPE & RANGE	PNP (5-30V)					
FAST INPUT	1					2
MAXIMUM COUNTING FREQUENCY	5 kHz (PNP)					
ANALOG INPUT	As per slot I/O card		1 (voltage 0-10V)			
RESOLUTION	As per slot I/O card		12 bit			
DIGITAL OUTPUT	As per slot I/O card				4 relay	As per slot I/O card
TYPE AND RATING	As per slot I/O card				5A NO type@ 250V AC / 30V DC	As per slot I/O card
COMMUNICATION INTERFACE	RS485 MODBUS RTU protocol (slave)		RS485 MODBUS RTU protocol (master-slave)			RS485 MODBUS RTU-Protocol (master-slave), ETHERNET (slave), USB (slave)
PROGRAM MEMORY	112kb		240kb			480kb
RTC	Optional		Yes			
PLUGGABLE DISPLAY MODULES	<p>MiBRX-DSP-2M-7-1-04-A</p>		<p>MiBRX-DSP-2M-0-1-06-A</p>		<p>MiBRX-DSP-4M-8-2-08-A</p>	
	<p>MiBRX-DSP-4M-0-1-06-A</p>		<p>MiBRX-DSP-6M-8-2-08-A</p>			
ADAPTER PLATES FOR INDEPENDENT DISPLAY	<p>MiBRX-DSP-AP-2M</p>		<p>MiBRX-DSP-AP-4M</p>		<p>MiBRX-DSP-AP-6M</p>	

*Digital input can be configured as analog input (0-10V)

Ordering information

PRODUCT CODE	DESCRIPTION	CERTIFICATION
MiBRX-2M-1-0-0-24VAC	MiBRX 2M PS-2 slots, 3DI, 24V AC	CE
MiBRX-2M-1-0-0-24VDC	MiBRX 2M PS-2 slots, 3DI (incl 1FI), 24V DC, NTC	CE
MiBRX-4M-1-1-1-230V	MiBRX 4M PS - 4 Slots, 5DI (incl 1FI, 1AI-V), NTC, RTC, Master, 230V AC	CE
MiBRX-4M-1-1-1-24VDC	MiBRX 4M PS-4 slots, 5DI (incl 1FI, 1AI-V), NTC, RTC, Master, 24V DC	CE
MiBRX-6M-1-1-1-230V	MiBRX 6M PS - 6 Slots, 11DI, (incl 1FI, 1AI-V) +4RO, NTC, RTC, Master, 230VAC	CE

PRODUCT CODE	DESCRIPTION	CERTIFICATION
MiBRX-6M-2-1-1-0-1-24VDC	MiBRX 6M PS-6 slots, 12DI, (incl 2FI, 1AI-V), with isolation, Master, ETHERNET & RTC, 24V DC	CE
MiBRX-DSP-AP-2M	MiBRX 2M adapter plate	CE
MiBRX-DSP-AP-4M	MiBRX 4M adapter plate	CE
MiBRX-DSP-AP-6M	MiBRX 6M adapter plate	CE



48 x 96
48(H) x 96(W) x 69(D)mm



72 x 72
72(H) x 72(W) x 71.35(D)mm



96 x 96
96(H) x 96(W) x 99.1(D)mm

FEATURES	<ul style="list-style-type: none"> • Flexible IO card selection with 2 slots • RTC with time switch functions (optional) 		<ul style="list-style-type: none"> • Flexible IO card selection with 2 slots • RTC with time switch functions 		<ul style="list-style-type: none"> • Flexible card selections with 6 slots • Modbus expandable • RTC with time switch functions 	
	Micro modular PLC with pluggable displays					
DISPLAY TYPE	7 segment LED		LCD with blue backlight & white font	7 segment LED		LCD with blue backlight & white font
DIGITS	(3+4) red + 4 green	(4+4) red + 6 green	2 lines x 8 characters (font size 5x7mm)	6 white + 4 green		4 lines x 16 characters (font size 5x7mm)
LED BANKS	LED banks 6 red round LEDs + 10 red LEDs (bar graph)	4 red + 4 green LED	---	4 red		---
NO. OF KEYS	5 touch keys (4 user configurable)		4 touch keys (3 user configurable)		8 touch keys (7 user configurable)	8 touch keys (7 user configurable)
SUPPLY VOLTAGE	90 to 270V AC	18 to 30V DC	90 to 270V AC	18 to 30V DC		90 to 270V AC 18 to 30V DC
DIGITAL INPUTS	5+1*	5+2*	3+1*		3+1*	5+1*
INPUT TYPE & RANGE	PNP (5-30V)					
FAST INPUT	1					
MAXIMUM FREQUENCY	5 kHz (PNP)					
ANALOG INPUT	1 (voltage 0-10V)	3 (2 voltage & 1 current 0-10V & 0-20mA)	1 (voltage 0-10V)	2 (voltage & current 0-10V & 0-20mA)		1 (voltage 0-10V) 2 (1 voltage & 1 current 0-10V & 0-20mA)
RESOLUTION	12 bit					
DIGITAL OUTPUT	As per slot I/O card		3 relay	4 relay		As per slot I/O card
TYPE AND RATING	As per slot I/O card		5A NO type @250V AC / 30V DC			As per slot I/O card
COMMUNICATION INTERFACE	RS485 MODBUS RTU protocol (slave)				RS485 MODBUS RTU protocol (master-slave)	
PROGRAM MEMORY	240kb					
RTC	Optional			Yes		
SENSOR SOURCE	24V, 50mA (230V AC variant)					

PLUGGABLE DISPLAY MODULES					
	MiBRX-DSP-48-7-2-11-A	MiBRX-DSP-48-7-2-14-B	MiBRX-DSP-72-8-2-08-B	MiBRX-DSP-72-7-2-10-B	MiBRX-DSP-96-8-4-16-B

*Digital input can be configured as analog input (0-10V)

Ordering information

PRODUCT CODE	DESCRIPTION	CERTIFICATION
MiBRX-48-0-0-230V	MiBRX 48x96 PS-2 slots, 6DI (incl 1FI, 1AI-V), NTC, 230V AC	CE
MiBRX-48-0-0-24VDC	MiBRX 48x96 PS-2 slots, 7DI (incl 1FI, 2AI-V), 1AI-I, NTC, 24V DC	CE
MiBRX-72-0-1-230V	MiBRX 72x72 PS-2 slots, 4DI (incl 1FI, 1AI-V) +3RO, NTC, RTC, 230V AC	CE

PRODUCT CODE	DESCRIPTION	CERTIFICATION
MiBRX-72-0-1-24VDC	MiBRX 72x72 PS-2 slots, 4DI (incl 1FI, 1AI-V) +4RO, 1AI-I, NTC, RTC, 24V DC	CE
MiBRX-96-1-1-230V	MiBRX 96x96 PS-6 slots, 4DI (incl 1FI, 1AI-V), NTC, RTC, Master, 230V AC	CE
MiBRX-96-1-1-24VDC	MiBRX 96x96 PS-6 slots, 6DI (incl 1FI, 1AI-V), 1AI-I, NTC, RTC, Master, 24V DC	CE



MiBRX-DSP-IND-96-8-0-00-C
96(H) x 96(W) x 40(D)mm



MiBRX-DSP-IND-96-8-0-00-B
96(H) x 96(W) x 40(D)mm



MiBRX-DSP-IND-96-8-4-16-B
96(H) x 96(W) x 40(D)mm



MiBRX-DSP-IND-96-8-2-16-B
96(H) x 96(W) x 40(D)mm

FEATURES	<ul style="list-style-type: none"> 10 password level RS485 MODBUS RTU, (Master-slave) In-built alarm 	<ul style="list-style-type: none"> Positive mode White back light Black segments 	<ul style="list-style-type: none"> Positive mode 4 line x 16 characters 	<ul style="list-style-type: none"> Positive mode 2 line x 16 characters
DISPLAY TYPE	3.5" LCD resistive touch screen	3.5" segment LCD with backlight	16 columns and 4 rows LCD	16 columns and 2 rows LCD
KEYS	Yes (5 nos)		Yes (8 nos)	Yes (8 nos)
KEYS TYPE	Capacitive touch pad type with integrated yellow green LEDs			
SUPPLY VOLTAGE	18-30V DC			

Independent display can be used only with MiBRX rail mount series with respective adapter plate & ACH-004-CE-RoHS (6 pin cable)

Ordering information

PRODUCT CODE	DESCRIPTION	CERTIFICATION
MiBRX-DSP-IND-96-8-0-00-B	MiBRX independent display 96x96 - customized, 14 & 7 seg, Bar graphs, speedometer	CE
MiBRX-DSP-IND-96-8-2-16-B	MiBRX independent display 96x96-LCD (16x2)	CE

PRODUCT CODE	DESCRIPTION	CERTIFICATION
MiBRX-DSP-IND-96-8-4-16-B	MiBRX independent display 96x96-LCD (16x4)	CE
MiBRX-DSP-IND-96-8-0-00-C	MiBRX independent display-3.5" Graphic touch	---

Supported I/O cards

PRODUCT CODE	DESCRIPTION	CERTIFICATION
MiBRX-SC-DI04**	MiBRX slot card-4 digital inputs	CE
MiBRX-SC-DI04-ISO	MiBRX slot card-4 digital inputs (isolated)	CE
MiBRX-SC-DI06**	MiBRX slot card-6 digital inputs	CE
MiBRX-SC-DI06-AC	MiBRX slot card-6 digital inputs (AC)	CE
MiBRX-SC-DI06-ISO-N	MiBRX slot card-6 digital inputs (isolated PNP/NPN)	CE
MiBRX-SC-RO01	MiBRX slot card-1 relay outputs	CE
MiBRX-SC-RO03**	MiBRX slot card-3 relay outputs	CE
MiBRX-SC-RO04**	MiBRX slot card-4 relay outputs	CE
MiBRX-SC-RO04-12V	MiBRX slot card-4 relay output (12V)	CE
MiBRX-SC-RO05	MiBRX slot card-5 relay outputs (1.5A)	CE
MiBRX-SC-TO04	MiBRX slot card-4 transistor outputs	CE
MiBRX-SC-DI02-RO02	MiBRX slot card-2 digital inputs & 2 relay outputs	CE
MiBRX-SC-DI02-RO03	MiBRX slot card-2 digital inputs & 3 relay outputs	CE
MiBRX-SC-DI02-TO02	MiBRX slot card-2 digital inputs & 2 transistor outputs	CE
MiBRX-SC-DI02-AI01-T	MiBRX slot card-2 digital inputs & 1 analog input-TC/RTD	CE
MiBRX-SC-AI02-V**	MiBRX slot card-2 analog inputs-voltage	CE
MiBRX-SC-AI02-V-ISO	MiBRX slot card-2 analog inputs-voltage (isolated)	CE
MiBRX-SC-AI02-I**	MiBRX slot card-2 analog inputs-current	CE
MiBRX-SC-AI02-I-ISO	MiBRX slot card-2 analog inputs-current (isolated)	CE

PRODUCT CODE	DESCRIPTION	CERTIFICATION
MiBRX-SC-AI02-V-mV	MiBRX slot card-2 analog inputs-1 voltage & 1 millivolt	CE
MiBRX-SC-AI02-V-I	MiBRX slot card-2 analog inputs-1 voltage & 1 current	CE
MiBRX-SC-AI02-TC**	MiBRX slot card-2 analog inputs-thermocouple	CE
MiBRX-SC-AI02-TC-ISO	MiBRX slot card-2 analog inputs-thermocouple (isolated)	CE
MiBRX-SC-AI02-RTD**	MiBRX slot card-2 analog inputs-RTD	CE
MiBRX-SC-AI02-RTD-ISO	MiBRX slot card-2 analog inputs-RTD (isolated)	CE
MiBRX-SC-AI02-PT1000	MiBRX slot card-2 analog inputs-PT1000	CE
MiBRX-SC-AI02-PTC	MiBRX slot card-2 analog inputs-PTC	CE
MiBRX-SC-AI02-NTC	MiBRX slot card-2 analog inputs-NTC	CE
MiBRX-SC-AO02-I-ISO	MiBRX slot card-2 analog output-current (isolated)	CE
MiBRX-SC-AO02-V-ISO	MiBRX slot card-2 analog outputs-voltage (isolated)	CE
MiBRX-SC-AO01-V/I**	MiBRX slot card-1 analog output	CE
MiBRX-SC-AO02-V-I-ISO	MiBRX slot card-2 analog outputs (isolated)	CE
MiBRX-SC-FI02	MiBRX slot card-2 fast inputs (10 kHz)	CE
MiBRX-SC-FO01-TO02-N	MiBRX slot card-1 fast output (200kHz) & 2 Transistor output (PNP/NPN)	CE
MiBRX-SC-LC02	MiBRX slot card-2 analog inputs-load cell (24 bit)	CE
MiBRX-SC-DL	MiBRX slot card-datalogging (2MB) & RTC	CE
MiBRX-SC-WIFI	MiBRX slot card-WIFI (IoT Enabled)	CE
MiBRX-SC-PD	MiBRX portable downloader	CE

*For technical specification refer to product datasheet

**Also available in pluggable terminals

Scan below QR code for more information about the miniature I/O cards and its compatibility with MiBRX products.





FLEXYS GT35
99(H) x 99(W) x 110(D)mm



FLEXYS PANEL TX4
99(H) x 99(W) x 110(D)mm



FLEXYS RAIL
67(H) x 140(W) x 107(D)mm



EXP FLEX 2M EXP FLEX 2M V3
94(H) x 35(W) x 103(D)mm

FEATURES	<ul style="list-style-type: none"> 3.5" LCD with touch screen Flexible I/O cards selection with 3 slots Real time clock MODBUS expandable 	<ul style="list-style-type: none"> PLC with built in LCD text HMI Flexible I/O cards selection with 4 slots Real time clock MODBUS expandable 	<ul style="list-style-type: none"> Flexible I/O card selection with 4 slots Real time clock MODBUS expandable 	<ul style="list-style-type: none"> Any flexys card can be configured Selectable baudrate and slave ID
DISPLAY	TFT 3.5" diagonal touch screen, Resolution 320x240	LCD with backlight, 4x16 character display, Font size 5x7mm	7 segment display for slot number & card status. Multipurpose LED bank	LED indication for power ON & communication status
NO. OF KEYS	5 function keys +1 system key	18 keys (14 user configurable)	One key to scroll through different slots	---
I/Os	3 I/O slots (please refer I/O card for flexys series)	4 I/O slots (please refer I/O card for flexys series)		---
DIGITAL INPUTS	4 / 10 / 14 per card, PNP (6-30V DC)			
MAXIMUM COUNTING FREQUENCY	FC0 (I0 & I1) & FC1 (I2 & I3)-5 kHz (on power supply card only), Normal digital inputs-30 Hz			---
ANALOG INPUTS	3 / 4 / 6 channels per card (TC, RTD, 0-10V, 0-20mA, NTC)			
RESOLUTION	12 bits			
RELAY OUTPUTS	4 / 8 per card, NO type 5A @230V AC / 30V DC (resistive)			
TRANSISTOR OUTPUTS	8 per card, Source type 100mA @24V DC			
ANALOG OUTPUTS	2 / 4 channels per card (0-10V, 0-20mA)			
RESOLUTION	14 bits (0.0 to 100.0% = 0 to 10.000V, 0.0 to 100.0% = 0 to 20.000mA)			
PROGRAM MEMORY	221kb	351kb		---
COMMUNICATION	RS485 MODBUS RTU protocol	RS485 MODBUS RTU		RS485 MODBUS RTU, (selec master PLC) RS485 MODBUS RTU (third party master PLC)
RTC	Yes			---
BAUDRATE	---			19200 / 115200bps (selectable)
RESPONSE TIME	---			Min response time 100m sec + IO card response
SUPPLY VOLTAGE (AC : 50 / 60 Hz)	18 - 30V DC, 90 - 270V AC			18-30V DC

Ordering information

PRODUCT CODE	DESCRIPTION	CERTIFICATION
FL-GT35-DI04-PS-230V-CE-RoHS	Flexys graphics-power supply card-230V AC, 4 digital inputs	CE
FL-GT35-DI04-PS-24V-CE-RoHS	Flexys graphics-Power supply card-24V DC, 4 digital inputs	CE
FL-GT35-DSP-V2	Flexys graphics-3.5" resistive touch screen	CE
FL-GT35-LG-1-0-1-V2	Flexys graphics-Logic card-RTC, Modbus expansion	CE
FL-TX4-DI04-PS-230V-CE-RoHS	Flexys panel TX4-Power supply card-230V AC, 4 digital inputs	CE
FL-TX4-DI04-PS-24V-CE-RoHS	Flexys panel TX4-Power supply card-24V DC, 4 digital input	CE

PRODUCT CODE	DESCRIPTION	CERTIFICATION
FL-TX4-LG-1-0-1-V2-CE-RoHS	Flexys panel TX4-Logic card-RTC, MODBUS & Proprietary expansion	CE
FL-RL-DI04-PS-24V-CE-RoHS	Flexys rail-Power supply card-24V DC, 4 digital inputs	CE
FL-RL-BS-6-CE-RoHS	Flexys rail-Base card	CE
FL-RL-LG-1-0-1-V2-CE-RoHS	Flexys rail-Logic card-RTC, Modbus & Proprietary expansion	CE
FL-RL-PS-230V	Flexys rail-Power supply card-230V AC	---

Supported I/O cards

PRODUCT CODE	DESCRIPTION	CERTIFICATION
EXP-FLEX 2M	Expansion slot-Flexys IO cards	CE
EXP-FLEX 2M V3	Independent remote IO base card	CE in process
FL-SC-DI10-CE-RoHS	Flexys IO-10 digital input card	CE
FL-SC-DI14-CE-RoHS	Flexys IO-14 digital input card	CE
FL-SC-RO08-CE-RoHS	Flexys IO-8 channel relay output card	CE
FL-SC-TO08-CE-RoHS	Flexys IO-8 channel transistor output card	CE
FL-SC-DI04-RO04-CE-RoHS	Flexys IO-4 digital input & 4 digital output card	CE
FL-SC-AI04-U	Flexys IO-4 channel analog input card-Universal (Jumper selectable)	CE in process
FL-SC-AI06-V-CE-RoHS	Flexys IO-6 channel analog input card-voltage	CE
FL-SC-AI06-I-CE-RoHS	Flexys IO-6 channel analog input card-current	CE
FL-SC-AI06-V/I	Flexys IO-6 channel analog input card-voltage / current	CE
FL-SC-AI06-V/I-ISO	Flexys IO-6 channel analog input card-voltage / current (isolated)	CE
FL-SC-AI01-AO01-V/I	Flexys IO-1 channel analog inputs, 1 channel analog output (voltage / current)	CE in process
FL-SC-AI03-U-AO02-U	Flexys IO-3 channel analog input-universal, 2 channel analog output-universal card (jumper selection)	CE in process
FL-SC-AI04-RTD-CE-RoHS	Flexys IO-4 channel analog input card-RTD (PT-100)	CE
FL-SC-AI04-TC-CE-RoHS	Flexys IO-4 channel analog input card-thermocouple	CE in process
FL-SC-AIDF05-TC-CE-RoHS	Flexys IO-5 channel differential analog input card-thermocouple	CE
FL-SC-AIDF05-TC-ISO-CE-RoHS	Flexys IO-5 channel differential analog input card-thermocouple (isolated)	CE
FL-SC-AI03-NTC-AI03-I	Flexys IO - 3 channel analog inputs-NTC, 3 channel analog inputs-Current card	CE in process
FL-SC-AO04-V-CE-RoHS	Flexys IO-4 channel analog output card-voltage	CE
FL-SC-AO04-I-CE-RoHS	Flexys IO-4 channel analog output card-current	CE
FL-SC-LC04	Flexys IO-4 channel loadcell input card (24 bits)	CE in process

*For technical specification refer to product datasheet



UNIX-1-230V
75.5(H) x 75.5(W) x 78(D)mm



TWIX-1
50(H) x 98(W) x 78(D)mm

TWIX-2
50(H) x 98(W) x 78(D)mm

TWIX-3
50(H) x 98(W) x 78(D)mm

FEATURES	<ul style="list-style-type: none"> RS485 MODBUS RTU protocol 		<ul style="list-style-type: none"> Configurable LED display RS485 MODBUS RTU protocol 	
DISPLAY	6 digits red & 4 green digits 7 segment LED		4+4 digits red & 6 green digits 7 segment LED	
NO. OF KEYS	3 keys (2-User configurable)		5 keys (4-User configurable)	
DIGITAL INPUTS	3+1*		6	6+2*
INPUT TYPE	PNP (5-30V DC)		PNP (6-30V DC)	
MAXIMUM COUNTING FREQUENCY	FC0 (I0 & I1)-5 kHz, Normal digital input: 30 Hz			
ANALOG INPUTS	3 channels, 1 (TC / RTD), 1 (0-10V), 1(0-20mA)		1 channel (TC / RTD)	6 channels, 2 (TC / RTD), 2 (0-10V), 2(0-20mA)
ANALOG OUTPUTS	---		1 channel (0-10V / 0-20mA)	---
RESOLUTION	12 bits			
DIGITAL OUTPUTS	2 relay & 2 transistor		4 relay	5 relay
TYPE & RATING	For Relay O/P : 5A NO type @230V AC / 30V DC (resistive), For transistor O/P: Source type 100mA @24V DC			
PROGRAM MEMORY	240kb		112kb	240kb
COMMUNICATION INTERFACE	RS485 MODBUS RTU Protocol			
SUPPLY VOLTAGE (AC : 50 / 60Hz)	90-270V AC (50/60 Hz)		90-270V AC (50/60 Hz), 18-30V DC	

Ordering information

PRODUCT CODE	DESCRIPTION	CERTIFICATION
UNIX-1-230V	PLC-3DI, 2RO, 2TO, 3AI (1TC / RTD, 1I, 1V/1DI) & 230V AC	CE in process
TWIX-1-230V	PLC- 6DI, 4RO, 1AI (TC / RTD) & 230V AC	CE in process
TWIX-1-24VDC	PLC- 6DI, 4RO, 1AI (TC / RTD) & 24V DC	CE in process

PRODUCT CODE	DESCRIPTION	CERTIFICATION
TWIX-2-230V	PLC- 6DI, 5RO, 6AI (2TC / RTD, 2I, 2V/2DI), 1AO(V/I) & 230V AC	CE in process
TWIX-2-24VDC	PLC- 6DI, 5RO, 6AI (2TC/RTD, 2I, 2V/2DI), 1AO(V/I) & 24V DC	CE
TWIX-3-24VDC	PLC- 8DI, 6DO, 1AI (TC / RTD) & 24V DC	CE in process



DIGIX-1-0-0-24VDC-CE-RoHS
DIGIX-1-X-X-230V-CE-RoHS
90(H) x 70(W) x 67(D)mm



MM3032-2-0-0-230V V2
110(H) x 99(W) x 62(D)mm

MM3032-2-0-0-24V V2
110(H) x 99(W) x 62(D)mm

FEATURES	<ul style="list-style-type: none"> Real time clock** RS485 MODBUS RTU protocol 		<ul style="list-style-type: none"> Panel / DIN rail mounting RS485 MODBUS RTU protocol 	
DISPLAY	2x8 character LCD		2x16 character LCD	
NO. OF KEYS	5 keys (4-User configurable)		8 keys (6 user configurable)	
DIGITAL INPUTS	8 (PNP (6-30V DC))		8 PNP (6-30V DC)	
COUNTING FREQUENCY	---		FC0 (I0 & I1)-5 kHz, Normal input-30 Hz.	
ANALOG INPUTS	Through expansion		2 channels (0-20mA) / (0-10V)	2 channels (0 - 20mA / (0-10V) + 1 NTC channel
RESOLUTION	Through expansion		12 bits	
DIGITAL OUTPUTS	5 relay		6 relay	
TYPE AND RATING	5A NO type @230V AC / 30V DC (resistive)			
ANALOG OUTPUTS	Through expansion		1 channel, (0-10V)	---
RESOLUTION	As per expansion modules		14 bits (0.0% to 100.0% = 0 - 10.000V)	---
RTC	Yes		No	Yes

	DIGIX-1-0-0-24VDC-CE-RoHS DIGIX-1-X-X-230V-CE-RoHS	MM3032-2-0-0-230V V2	MM3032-2-0-0-24V V2
EXPANSION	Optional	No	
PROGRAM MEMORY	112kb	240kb	
COMMUNICATION INTERFACE MASTER	RS485 Modbus RTU Protocol	---	
SUPPLY VOLTAGE (AC : 50 / 60 Hz)	18-30V DC 90-270V AC (50/60 Hz)**	90-270V AC (50/60 Hz)	18-30V DC

**Please refer datasheet for exact order code

Ordering information

PRODUCT CODE	DESCRIPTION	CERTIFICATION
DIGIX-1-0-0-24VDC-B	PLC- 8DI, 5RO & 24V DC	CE in process
DIGIX-1-0-0-24VDC-CE-RoHS	PLC- 8DI, 5RO & 24V DC	CE in process
DIGIX-1-230V-CE-RoHS	PLC- 8DI, 5RO & 230V AC	CE

PRODUCT CODE	DESCRIPTION	CERTIFICATION
MM3032-2-0-0-230V V2	PLC- 8DI, 6RO, 2AI (V/I), 1AO (0-10V DC), 230V AC	CE in process
MM3032-2-0-0-24V V2	PLC- 8DI, 6RO, 1AI (V/I), 1AI-NTC & 24V DC	CE in process

Human Machine Interface



SP112-GT40
102(H) x 138(W) x 32(D)mm



SP112-GT70
146(H) x 200(W) x 32(D)mm



SP112-GT100
193(H) x 273(W) x 32(D)mm

FEATURES	<ul style="list-style-type: none"> 4.3", 7" & 10" touch screen Ethernet / Serial communication User management Recipe management Data logging Update program by USB flash In-Built third party PLC protocols Thermal printer support In-Built buzzer for alarm condition 		
DISPLAY	4.3" diagonal resistive touch screen	7" diagonal resistive touch screen	10" diagonal resistive touch screen
RESOLUTION	480 x 272 pixels	800 x 480 pixels	1024 x 600 pixels
USER MEMORY	256M flash+256M DRAM		256M flash + 128M DRAM
DATA LOGGING	Yes		
COMM. PORT 1	RS485 / RS422		RS485
COMM. PORT 2	RS232		
COMM. PORT 3	---	RS485	---
ETHERNET	Ethernet-10M / 100M self adaptation		
USB HOST	USB2.0x1, Support USB flash disk to update firmware, Configure and store data		
USB SLAVE	Type C, Support power supply & program download / upload	Type B, program download / upload	
RTC	Yes		
BACKUP BATTERY	3V CR2032		
OPERATING TEMPERATURE	0°-50 °C		
SUPPLY VOLTAGE	24V DC (20.4~28.8V DC)		

Ordering information

PRODUCT CODE	DESCRIPTION	CERTIFICATION
SP112-GT40-S-CE	4.3" touch screen HMI with serial ports	CE
SP112-GT40-ET-CE	4.3" touch screen HMI with Ethernet & Serial ports	CE
SP112-GT70-S1-CE	7" touch screen HMI with serial ports	CE

PRODUCT CODE	DESCRIPTION	CERTIFICATION
SP112-GT70-ET1-CE	7" touch screen HMI with Ethernet & Serial ports	CE
SP112-GT100-ET1-CE	10" touch screen HMI with Ethernet & Serial ports	CE



VFD-L



VFD-S

VFD-PV

FEATURES	<ul style="list-style-type: none"> Compact VFD 0.5HP / 0.4kW & 1HP / 0.75kW 	<ul style="list-style-type: none"> General purpose VFD 0.5HP / 0.4kW to 20HP / 15kW 	<ul style="list-style-type: none"> Solar VFD 1HP / 0.75kW to 20HP / 15kW
RATED INPUT VOLTAGE / FREQUENCY	Single phase 230V AC 50/60 Hz	Single phase 230V AC 50/60 Hz, Three phase 415V AC 50/60 Hz	200V class DC: 120V~430V; AC: 230V+15% 1P 400V class DC: 120V~850V; AC: 415V+15% 3P
PERMISSIBLE VOLTAGE FLUCTUATION	230V AC ±15%	230V AC ±15% for 1 phase & 415V AC ±15% for 3 phase	
OUTPUT VOLTAGE	3P: 0~input voltage		3P: 0~input voltage (AC equivalent in MPPT mode)
MPPT RANGE	---		200V class 150V DC~400V DC 400V class 270V DC~720V DC
PERMISSIBLE FREQUENCY FLUCTUATION	±5%		
CONTROL MODE	V/f control		
FREQUENCY CONTROL RANGE	0.1~400.0 Hz		
FREQUENCY ACCURACY	Digital setting 0.01%, Analog instruction 0.1% (max frequency)		
FREQUENCY RESOLUTION	Digital instruction 0.1 Hz, Analog instruction 0.1 Hz		
ACCELERATION/DECELERATION TIME	0.0~999.9 sec. Four acceleration / deceleration time settings available	0.0~3600.0 sec. Four acceleration / deceleration time settings available	
MULTI SPEED RUNNING	Built-In program using simple PLC feature		
BUILT-IN PI	Easy to set up a simple automatic control system		
BUILT-IN COUNTER	Automatically controlled production line can be achieved		
OVERLOAD CAPACITY	150% for 1min, 180% for 10 sec., 200% for 1sec.		
V/F MODE	4 pre-set V/f mode and 1 user defined V/f program		
AUTOMATIC ENERGY SAVING OPERATION	Changes the V/f curve according to the load to reduce energy consumption		
AUTOMATIC VOLTAGE REGULATION	Regulates the voltage automatically whenever there is a change in grid voltage		
OPERATION COMMANDS	Keypad, External terminals, External communication using MODBUS		
FREQUENCY SETTING	Keypad Up/Down keys, Keypad potentiometer, External potentiometer, Analog inputs (4-20mA / 0-10V), MODBUS communication		
INPUT SIGNAL	4 user selectable (PNP/NPN) multifunction inputs 2 analog inputs (0-20mA, POT / 0-10V)	8 user selectable (PNP/NPN) multifunction inputs 2 analog inputs (0-10V / 0-20mA)	
OUTPUT SIGNAL	1 user selectable multifunction relay output (250V / 5A contact)	2 user selectable multifunction relay output (250V / 5A contact), 2 user selectable multifunction open collector output, 1 analog output (0-10V / 0-20mA)	
PROTECTION FUNCTIONS	Over current, Over voltage, Under voltage, Over temperature, Under current, System error		
DISPLAY	Non-removable HMI with 5 keys, 4x7 segment LED display and 4 status LED setting, Running status and fault display	Removable HMI with 8 keys, 1 switch enabled encoder, 5x7 segment LED display and 7 status LEDs	
OPERATING ENVIRONMENT	Temperature: -10~+55 °C, Humidity: <90%, No condensation, IP20		
STORAGE TEMPERATURE	-20~+60 °C		
VIBRATION	<5.9m/s ² (0.6g)		
APPLICATIONS	Suitable for Fans, Pumps, Conveyor, Food & Drink packaging machinery, Industrial washing machine and most general industries etc.		

Ordering information

Compact AC drive (VFD-L)

PRODUCT CODE	DESCRIPTION
VFD-L-1-005-230V	1 phase input 230V AC, 3 phase output 0 to rated Input voltage, 0.5HP/0.4kW Economic series (4DI, 2AI, 2AO, RS485, 1RO SPST, Built in display)
VFD-L-1-010-230V	1 phase input 230V AC, 3 phase output 0 to rated Input voltage, 1HP/0.75kW Economic series (4DI, 2AI, RS485, 1RO SPST, Built in display)

Solar AC drive (VFD-PV)

PRODUCT CODE	DESCRIPTION	DC INPUT VOLTAGE (V)
VFD-PV-010-2	200V class, 1HP/0.7kW, 5DI (PNP/NPN), 1DO (Open collector), 1RO (1CO), RS485, 1POT input, 1AI (V/I), 1AO (V/I)	120~430
VFD-PV-020-2	200V class, 2HP/1.5kW, 5DI (PNP/NPN), 1DO (Open collector), 1RO (1CO), RS485, 1POT input, 1AI (V/I), 1AO (V/I)	120~430
VFD-PV-010-4	400V class, 1HP/0.7kW, 5DI (PNP/NPN), 1DO (Open collector), 1RO (1CO), RS485, 1AI (Voltage), 1AI (V/I), 1AO (V/I)	120~850
VFD-PV-020-4	400V class, 2HP/1.5kW, 5DI (PNP/NPN), 1DO (Open collector), 1RO (1CO), RS485, 1POT input, 1AI (V/I), 1AO (V/I)	120~850
VFD-PV-030-4	400V class, 3HP/2.2kW, 5DI (PNP/NPN), 1DO (Open collector), 1RO (1CO), RS485, 1POT input, 1AI (V/I), 1AO (V/I)	120~850
VFD-PV-050-4	400V class, 5HP/3.7kW, 8DI (PNP/NPN), 2DO (Open collector), 2RO (1CO), RS485, 1AI (Voltage), 1AI (V/I), 1AO (V/I)	120~850
VFD-PV-075-4	400V class, 7.5HP/5.5kW, 8DI (PNP/NPN), 2DO (Open collector), 2RO (1CO), RS485, 1AI (Voltage), 1AI (V/I), 1AO (V/I)	120~850
VFD-PV-100-4	400V class, 10HP/7.5kW, 8DI (PNP/NPN), 2DO (Open collector), 2RO (1CO), RS485, 1AI (Voltage), 1AI (V/I), 1AO (V/I)	120~850
VFD-PV-150-4	400V class, 15HP/11kW, 8DI (PNP/NPN), 2DO (Open collector), 2RO (1CO), RS485, 1AI (Voltage), 1AI (V/I), 1AO (V/I)	120~850
VFD-PV-200-4	400V class, 20HP/15kW, 8DI (PNP/NPN), 2DO (Open collector), 2RO (1CO), RS485, 1AI (Voltage), 1AI (V/I), 1AO (V/I)	120~850

General purpose AC drive (VFD-S)

PRODUCT CODE	DESCRIPTION
VFD-S-1-005-230V	1 phase input 230V AC, 3 phase output 0 to rated Input voltage 0.5HP/0.4kW, General purpose series (5DI, 2AI, 1AO, RS485, 1RO SPDT, 1TO, Detachable display)
VFD-S-1-010-230V	1 phase input 230V AC, 3 phase output 0 to rated input voltage 1HP/0.75kW, General purpose series (5DI, 2AI, 1AO, RS485, 1RO SPDT, 1TO, Detachable display)
VFD-S-1-020-230V	1 phase input 230V AC, 3 phase output 0 to rated input voltage 2HP/1.5kW, General purpose series (5DI, 2AI, 1AO, RS485, 1RO SPDT, 1TO, Detachable display)
VFD-S-3-010-415V	3 phase input 415V AC, 3 phase output 0 to rated Input voltage 1HP/0.75kW, General purpose series (5DI, 2AI, 1AO, RS485, 1RO SPDT, 1TO, Detachable display)
VFD-S-3-020-415V	3 phase input 415V AC, 3 phase output 0 to rated input voltage 2HP/1.5kW, General purpose series (5DI, 2AI, 1AO, RS485, 1RO SPDT, 1TO, Detachable display)
VFD-S-3-030-415V	3 phase input 415V AC, 3 phase output 0 to rated input voltage 3HP/2.2kW, General purpose series (5DI, 2AI, 1AO, RS485, 1RO SPDT, 1TO, Detachable display)
VFD-SH-3-050-B-415V	3 PH 415V AC IN, 3 PH 0-415V AC OUT 5HP/3.7kW, Heavy duty general purpose series (8 Dis, 2 AI, RS485, 2 RO, 2 TO, 1AO, Detachable display)
VFD-SH-3-075-B-415V	3 PH 415V AC IN, 3 PH 0-415V AC OUT 7.5HP/5.5kW, Heavy duty general purpose series (8 Dis, 2 AI, RS485, 2 RO, 2 TO, 1AO, Detachable display)
VFD-SH-3-100-B-415V	3 PH 415V AC IN, 3 PH 0-415V AC OUT 10HP/7.5kW, Heavy duty general purpose series (8 Dis, 2 AI, RS485, 2 RO, 2 TO, 1AO, Detachable display)
VFD-SH-3-150-B-415V	3 PH 415V AC IN, 3 PH 0-415V AC OUT 15HP/11kW, Heavy duty general purpose series (8 Dis, 2 AI, RS485, 2 RO, 2 TO, 1AO, Detachable display)
VFD-SH-3-200-B-415V	3 PH 415V AC IN, 3 PH 0-415V AC OUT 20HP/15kW, Heavy duty general purpose series (8 Dis, 2 AI, RS485, 2 RO, 2 TO, 1AO, Detachable display)

1PH Induction motor drive

PRODUCT CODE	DESCRIPTION	PRODUCT CODE	DESCRIPTION
VFD-S-1-005-A-2-S	1 phase 230V, 0.5 HP / 0.4kW	VFD-S-1-020-A-2-S	1 Phase 230V, 2 HP / 1.5kW
VFD-S-1-010-A-2-S	1 phase 230V, 1 HP / 0.75kW		



FD100



FD300

FEATURES	<ul style="list-style-type: none"> • Compact & Powerful AC drives • 1HP 0.75kW to 5HP 3.7kW 	<ul style="list-style-type: none"> • High performance AC drives • 5HP 3.75kW to 200HP 160kW
RATED INPUT VOLTAGE / FREQUENCY	Single phase 230V AC 50/60 Hz, Three Phase 415V AC 50/60 Hz	
PERMISSIBLE VOLTAGE FLUCTUATION	187V to 253V AC for 1 phase & 320 to 460V AC for 3 phase	
PERMISSIBLE FREQUENCY FLUCTUATION	±5%	
CONTROL MODE	V/F control	SFVC, CLVC (+PG card), V/F control
FREQUENCY CONTROL RANGE	0.1 ~ 400.0 Hz	Vector control: 0.0~3200.0 Hz, V/F control : 0.0~500.0 Hz
FREQUENCY ACCURACY	Digital setting 0.01%, Analog instruction 0.1% (max frequency)	
FREQUENCY RESOLUTION	Digital instruction 0.1 Hz, Analog instruction 0.1 Hz	
ACCELERATED / DECELERATED TIME	0.0~3600.0 sec. Four acceleration / deceleration time settings available	0.0~6500.0 sec. Four acceleration / deceleration time settings available
MULTI SPEED RUNNING	Built-in program	
BUILT-IN PI	Easy to set up a simple automatic control system	
OVERLOAD CAPACITY	G type-150% rated current for 1 min, P type-120% rated current for 1 min	
TORQUE BOOST	Manual boost: 0-15%	Auto boost, Manual boost: 0-30%
V/F MODE	3 preset V/F mode and V/F program	
AUTOMATIC ENERGY SAVING OPERATION	Changes the V/F curve according to the load to save energy	
AUTOMATIC VOLTAGE REGULATION	Regulates the voltage automatically whenever there is a change in grid voltage	
OPERATION COMMANDS	Keypad, External terminals and Communication	
FREQUENCY SETTING	Digital setting, Analog voltage setting, Analog current setting, Communication	
INPUT SIGNAL	Forward / Reverse, Jogging selection, Multi speed control, Regular stopping	
OUTPUT SIGNAL	Fault alarm output (250V/2A contact), Open collector output	
PROTECTION FUNCTIONS	Over current, Over voltage, Under voltage, Over heat, Overload, Phase los	
DISPLAY	Parameters setting, Running status and fault display	
OPERATING ENVIRONMENT	Temperature: -10~+50 °C, Humidity: <90%, No condensation, IP20	
OPERATIONS AREA	Indoor, <1000m altitude above sea level	
STORAGE TEMPERATURE	-20~+60 °C	
VIBRATION	<5.9 m/s ² (0.6g)	
INPUT CHANNEL	5 DIs (Internal impedance: 3.3kΩ), 2AIs (0-10V, 0-10V/0-20mA)	6 DIs (Internal impedance: 3.3kΩ), 2AIs (0-10V, 0-10V/0-20mA)
OUTPUT CHANNEL	1 RO, 1 TO, 1AO (0-10V/0-20mA)	1 RO, 2 TO, 1AO (0-10V/0-20mA)
APPLICATIONS	Suitable for Fans, Pumps, Conveyor, Food & drink packaging machinery, Industrial washing machine and most general industries etc.	Suitable for Fans, Pumps, Conveyor, Mixer, Textile machine, Dyeing machine, Lithographic printing machine Metal working

Ordering information

Variable frequency drive (FD100)

PRODUCT CODE	DESCRIPTION	CERTIFICATION
FD100-1-010-C-CE	1 PH 230V AC IN, 3 PH 0-230V AC OUT 1HP/0.75kW	CE
FD100-1-020-C-CE	1 PH 230V AC IN, 3 PH 0-230V AC OUT 2HP/1.5kW	CE
FD100-1-030-C-CE	1 PH 230V AC IN, 3 PH 0-230V AC OUT 3HP/2.2kW	CE
FD100-3-010-C-CE	3 PH 415V AC IN, 3 PH 0-415V AC OUT 1HP/0.75kW	CE
FD100-3-020-C-CE	3 PH 415V AC IN, 3 PH 0-415V AC OUT 2HP/1.5kW	CE
FD100-3-030-C-CE	3 PH 415V AC IN, 3 PH 0-415V AC OUT 3HP/2.2kW	CE
FD100-3-050-C-CE	3 PH 415V AC IN, 3 PH 0-415V AC OUT 5HP/3.75kW	CE

Variable frequency drive (FD300)

PRODUCT CODE	DESCRIPTION	CERTIFICATION
FD300-3-050-C-CE	3 PH 415V AC IN, 3 PH 0-415V AC OUT 5HP/3.75kW	CE
FD300-3-075-C-CE	3 PH 415V AC IN, 3 PH 0-415V AC OUT 7.5HP/5.5kW	CE
FD300-3-100-C-CE	3 PH 415V AC IN, 3 PH 0-415V AC OUT 10HP/7.5kW	CE
FD300-3-150-C-CE	3 PH 415V AC IN, 3 PH 0-415V AC OUT 15HP/11kW	CE

Variable frequency drive (FD300)

PRODUCT CODE	DESCRIPTION	CERTIFICATION
FD300-3-200-C-CE	3 PH 415V AC IN, 3 PH 0-415V AC OUT 20HP/15kW	CE
FD300-3-250-C-CE	3 PH 415V AC IN, 3 PH 0-415V AC OUT 25HP/18.5kW	CE
FD300-3-300-C-CE	3 PH 415V AC IN, 3 PH 0-415V AC OUT 30HP/22.4kW	CE
FD300-3-400-C-CE	3 PH 415V AC IN, 3 PH 0-415V AC OUT 40HP/30kW	CE
FD300-3-500-C-CE	3 PH 415V AC IN, 3 PH 0-415V AC OUT 50HP/37.5kW	CE
FD300-3-600-C-CE	3 PH 415V AC IN, 3 PH 0-415V AC OUT 60HP/45kW	CE
FD300-3-750-C-CE	3 PH 415V AC IN, 3 PH 0-415V AC OUT 75HP/55kW	CE
FD300-3-1000-C-CE	3 PH 415V AC IN, 3 PH 0-415V AC OUT 100HP/75kW	CE
FD300-3-1200-C-CE	3 PH 415V AC IN, 3 PH 0-415V AC OUT 120HP/90kW	CE
FD300-3-1500-C-CE	3 PH 415V AC IN, 3 PH 0-415V AC OUT 150HP/110kW	CE
FD300-3-1750-C-CE	3 PH 415V AC IN, 3 PH 0-415V AC OUT 175HP/132kW	CE
FD300-3-2100-C-CE	3 PH 415V AC IN, 3 PH 0-415V AC OUT 210HP/160kW	CE



RP-2M-1.1A-24VDC-CE-RoHS
90(H) X 35(W) x 60(D)mm



RPS15
90(H) X 17.50(W) x 65(D)mm



RPS40
90(H) X 35(W) x 60(D)mm

FEATURES	<ul style="list-style-type: none"> • IEC 61010-1 safety standards • Protection: Overload, Over voltage, Short circuit • Power OK indication • Cooling by free air convection 	<ul style="list-style-type: none"> • Ultra slim • Support wide range of AC/DC auxiliary supply • Efficiencies up to 82% • Full power between -25 °C to +50 °C • Protection against short circuit, Overload, Over voltage • Cooling by free air convection 	
DISPLAY	LED indication for DC OK		
VOLTAGE RANGE	100-270V AC / 100-300V DC	90-264 VAC/ 127-370 VDC	
FREQUENCY RANGE	50/60 Hz		
AC CURRENT	100V-0.6A, 270V-0.3A	0.3A @115V AC; 0.15A @230V AC	0.80 A@115 VAC; 0.5 A@230 VAC
EFFICIENCY	Up to 75% to 85%	82%	85%
INRUSH CURRENT	< 40Amps @115V AC < 75Amps @230V AC	<30Amps @264V AC	< 60 Amps @264 VAC
AVAILABLE RANGE DC VOLTAGE / CURRENT	24V/1.1A	5V*/2.4A, 12V/1.25A, 24V/0.63A	12 V/ 2.5 A, 15 V*/ 2.67 A, 24 V/ 1.67 A, 48 V*/ 0.83 A
RATED POWER	26.4W	15W	40W
RIPPLE & NOISE MAX (mVp.p)	200mV	<1 % of Vout	
WEIGHT	140 gm	<100 gm	<150 gm

Ordering information

PRODUCT CODE	CERTIFICATION	Eg.: RPS15-24-CE
RPS15-12-CE	CE	RPS15 - XX - YY Certification: CE : CE Output voltage: 05 : 5V* 12 : 12V 24 : 24V Output power : 15W
RPS15-24-CE	CE	

PRODUCT CODE	CERTIFICATION	Eg.: RPS40-24-CE
RPS40-12-CE	CE	RPS40 - XX - YY Certification: CE : CE Output voltage : 12 : 12V 15 : 15V* 24 : 24V 48 : 48V* Output Power : 40W
RPS40-24-CE	CE	

Note : 1. *Available on request. 2. For dimensions refer page no 14



RPS60
109.8(H) X 43(W) x 102.7(D)mm



RPS120
109.8(H) X 43(W) x 102.7(D)mm



RPS240
136(H) X 50(W) x 135(D)mm



RPS480
154(H) X 60(W) x 158(D)mm








LRPS240
154(H) X 60(W) x 158(D)mm

FEATURES	<ul style="list-style-type: none"> • Designed to meet UL 62368-1 • IEC 61010-1 safety standard • Protection: Overload, Over voltage, Output short Circuit, Over temperature • Power OK indication • Cooling by free air convection 	<ul style="list-style-type: none"> • Designed to meet UL 62368-1 • Active PFC • Protection: Overload, Over voltage, Output short Circuit, Over temperature • Power OK indication • DC OK relay contact • Cooling by free air convection 	<ul style="list-style-type: none"> • Low cost CVCC power supply • Cooling by built in fan • Designed to meet UI508 & IEC 62358-1
DISPLAY	LED indication for DC OK		
VOLTAGE RANGE	90-264V AC / 127-370V DC		170-264V AC

	RPS60	RPS120	RPS240	RPS480	LRPS240
FREQUENCY RANGE	50/60 Hz				
AC CURRENT	115V-1.2A, 230V-0.8A	115V-2.2A, 230V-1.5A	115V-2.4A, 230V-1.2A	115V-4.8A, 230V-2.4A	2.8A @150V AC; 2.1A @230V AC
EFFICIENCY	Up to 87%	Up to 89%	Up to 93%	Up to 94%	Up to 87%
INRUSH CURRENT	<48A @264V AC		<60A @264V AC		<60Amps; Measured at 264V AC
AVAILABLE RANGE DC VOLTAGE / CURRENT	5V*/10A, 12V/5A, 15V*/4A, 24V/2.5A, 48V*/1.25A	12V/8A, 15V*/8A, 24V/5A, 48V*/2.5A	12V/18A, 24V/10A, 48V*/5A	24V/20A, 48V*/10A	24V/10A, 48V*/5A
RATED POWER	60W	120W	240W	480W	240W
RIPPLE & NOISE MAX (mVp.p)	<1% of vout				
WEIGHT	285 gm	350 gm	645 gm	1050 gm	680 gm

Ordering information

PRODUCT CODE	CERTIFICATION
RPS60-24-CE	CE
RPS60-24-CU	CE 
RPS120-24-CU	CE 
RPS240-12-CU	CE 

PRODUCT CODE	CERTIFICATION
RPS240-24-CU	CE 
RPS480-24-CU	CE 
LRPS240-24	---
LRPS240-48	---
RP-2M-1.1A-24V DC-CE-RoHS	CE

Note : 1. *Available on request. 2. For dimensions refer page no 18

Power Supply-Table Top Mounting Series



TPS150-24
159(L) X 97(W) x 30(H)mm



TPS120-24
129(L) X 97(W) x 30(H)mm



TPS50-24
99(L) X 82(W) x 30(H)mm

FEATURES	<ul style="list-style-type: none"> • Surface mounting • Cooling by free air convection • Compact size and 1U low profile • Protection : short circuit, overload & overvoltage • Compact size and 1U low profile 		
INDICATION	LED indication for DC OK		
INPUT VOLTAGE RANGE	85-132V AC / 170-264V AC by switch , 240-370V DC (switch on 230V AC)	90-264V AC / 127-373V DC	
FREQUENCY RANGE	47-63 Hz		
INPUT CURRENT	3A @115V AC; 1.7A @230V AC	2.2A @115V AC; 1.5A @230V AC	0.9A @115V AC; 0.5A @230V AC
EFFICIENCY	Up to 89%		Up to 86%
INRUSH CURRENT	< 60Amps; Measured at 264V AC, 25 °C Ambient, Cold start		< 45Amps; Measured at 230V AC, 25 °C Ambient, Cold start
AVAILABLE RANGE DC VOLTAGE /CURRENT	24V/6.5A	24V/5A	24V/2.2A
RATED POWER	156W	120W	52.8W
OPERATING TEMP	-40 °C to +70 °C		
RIPPLE & NOICE MAX (mVpp)	<1% of vout		
WEIGHT	<500gm	<340gm	<230gm
ACCESSORY	Clamp for din rail mounting		

Ordering information

PRODUCT CODE	CERTIFICATION
TPS15-24	CE
TPS120-24	CE

PRODUCT CODE	CERTIFICATION
TPS50-24	CE
AC-TPS-DRAIL	---

Note : 1. *Available on request. 2. For dimensions refer page no 15



ERLYMD-2-1-S8-1CO-24V-CE-RoHS
87(H) x 138(W) x 138(D)mm

FEATURES	<ul style="list-style-type: none"> • RS485 Comm. over MODBUS-RTU • Pluggable relays • Selectable baudrate and slave ID
NO. OF CHANNELS	8
CONTACTS	1C/O
CONTACT RATING	10A @277V AC / 30V DC (Resistive)
NOMINAL VOLTAGE	24V DC
MUST VOLTAGE	18V DC
MAX VOLTAGE	33V DC
OPERATE TIME	15 msec
RESET TIME	5 msec
COMMUNICATION PROTOCOL	RS485 MODBUS RTU protocol
STATUS DISPLAY	LED indication for relay ON status, Power ON & communication status
SUPPLY VOLTAGE	24V DC

Accessories-Data Converters



AC-RS485-RS232-ISO



AC-USB-RS232-01

AC-USB-RS485-02

AC-USB-RS485-03

FEATURES	<ul style="list-style-type: none"> • LED indication for communication status • Interface converter 	<ul style="list-style-type: none"> • Port powered • Communication status available on LED indication
DISPLAY	LED indication for power on, TX & RX	LED indication for TX & RX
INTERFACE 1	Serial (RS485 MODBUS RTU protocol)	USB 2.0 compliance
CONNECTOR	2 wire	USB type A
INTERFACE 2	Serial (RS232 MODBUS RTU protocol)	Serial (RS485 MODBUS RTU protocol)
CONNECTOR	DB9	2 wire open RJ 25 (6 Pin)
TRANSMISSION SPEED	2400 to 115200bps	2400 to 115200bps
CABLE LENGTH	---	1 meter
POWER CONSUMPTION	0.5W	75mA @5V
SUPPLY VOLTAGE	90-270V AC (50/60 Hz)	Port powered

Accessories-Communication Adapters & Cables



AC-IOEXP-03-CE-RoHS



ACH-002-CE-RoHS



ACH-003-CE-RoHS



ACH-004-CE-RoHS

DESCRIPTION	Adapter for directing RJ25 to open terminal and also for network looping	DB9 to RJ25 cable	Both Side RJ45 type connector	Both side RJ25 type connector
--------------------	--	-------------------	-------------------------------	-------------------------------

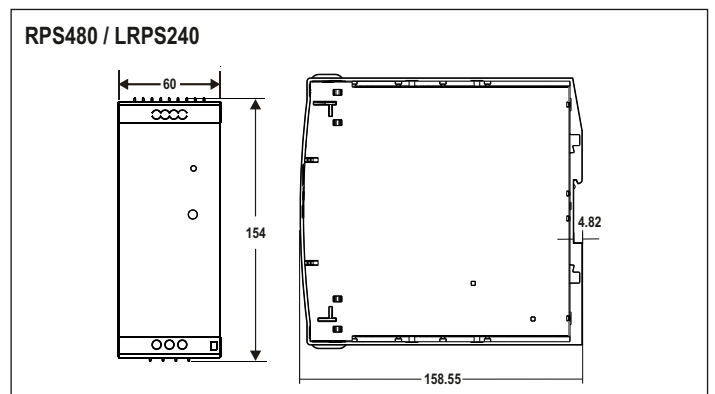
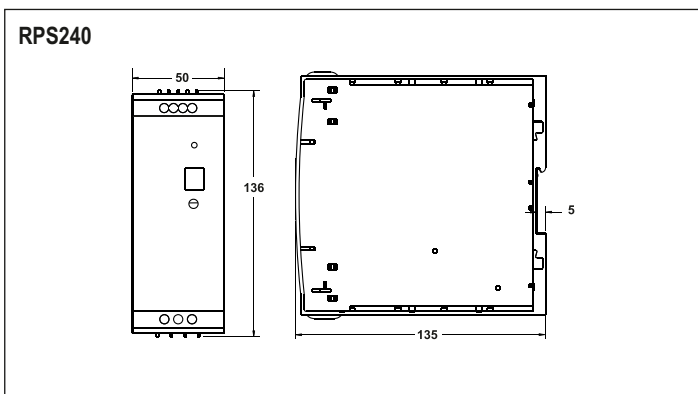
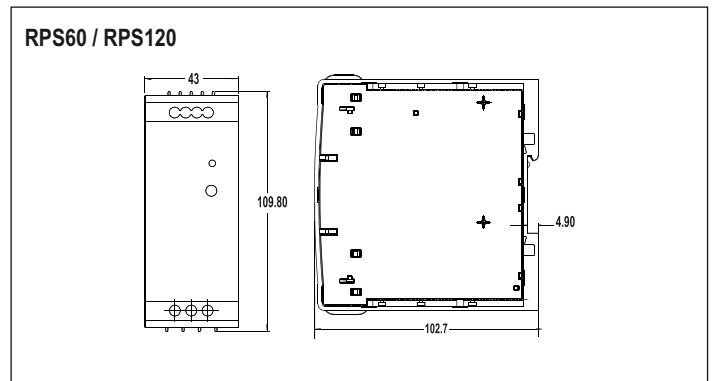
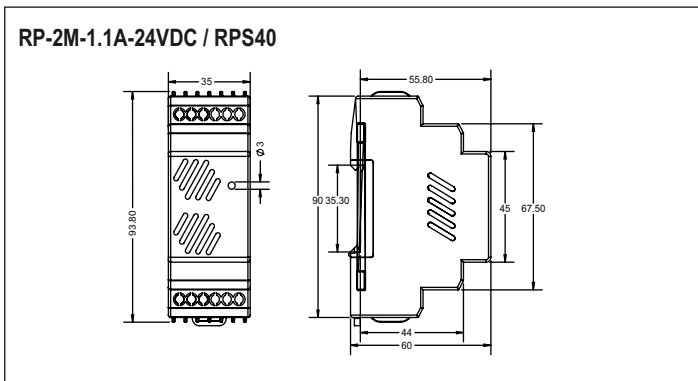
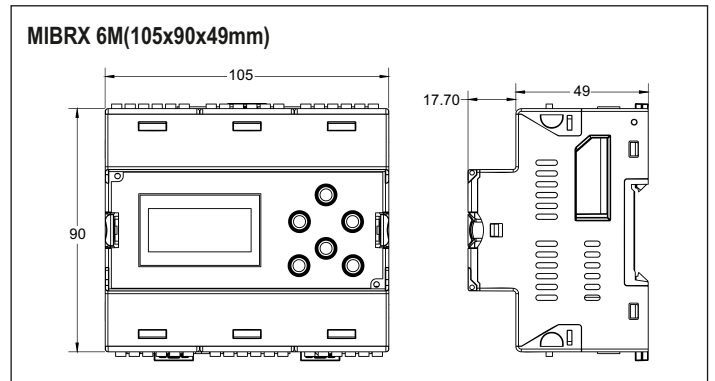
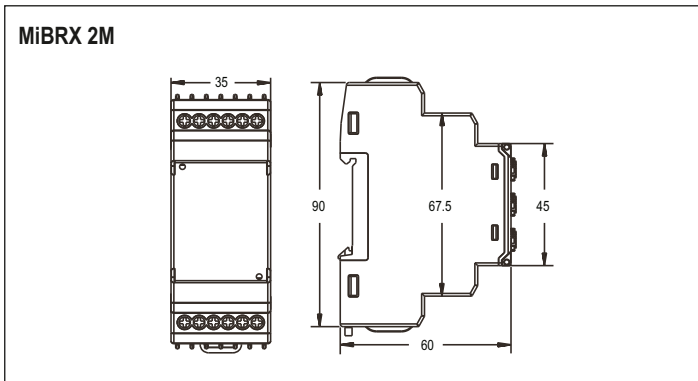
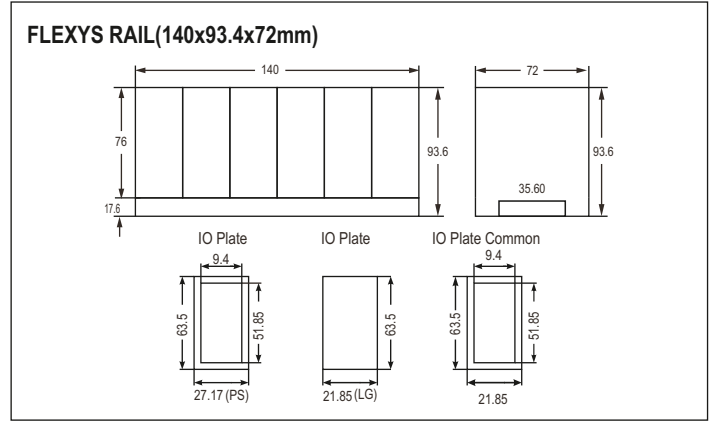
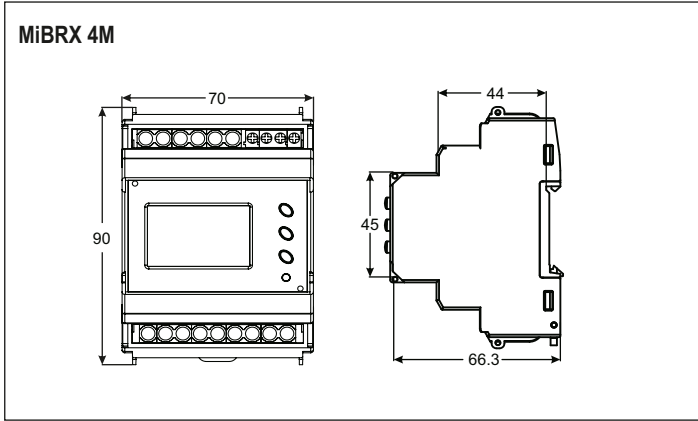
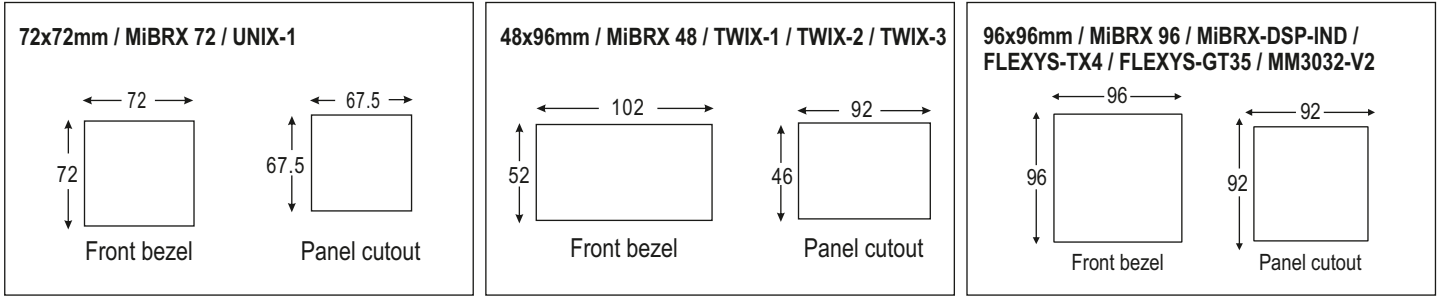
Ordering information

PRODUCT CODE	CERTIFICATION
AC-USB-RS232-01	CE in process
AC-USB-RS485-02	CE
AC-USB-RS485-03	CE
AC-RS485-RS232-ISO	CE in process

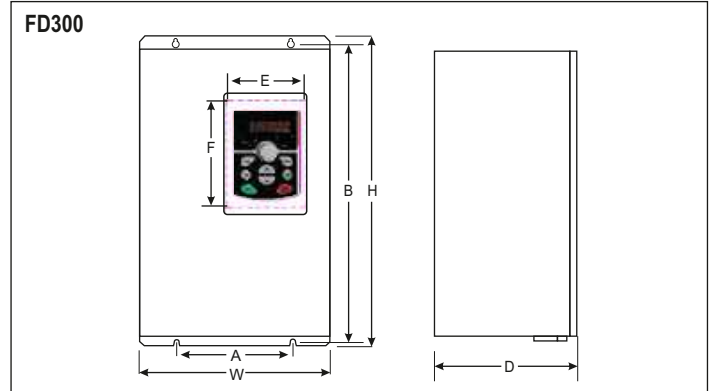
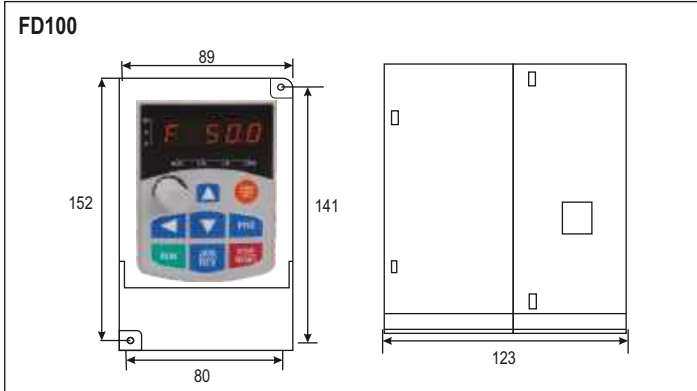
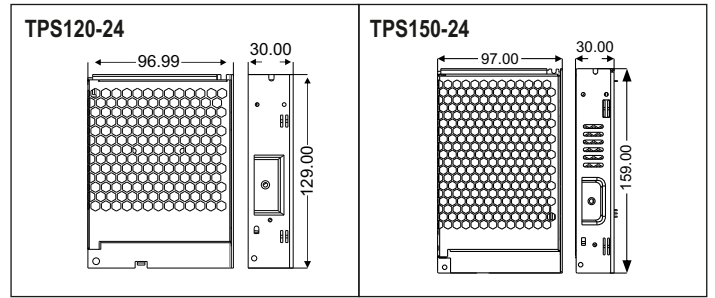
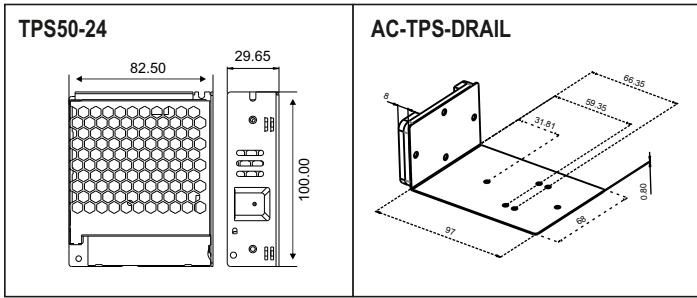
PRODUCT CODE	CERTIFICATION
ACH-001-CE-RoHS	CE
ACH-002-CE-RoHS	CE
ACH-003-CE-RoHS	CE
ACH-004-CE-RoHS	CE

PRODUCT CODE	CERTIFICATION
AC-IOEXP-03-CE-RoHS	CE
ERLYMD-2-1-S8-1CO-24V-CE-RoHS	CE

Panel Cutout Dimensions (All are in mm)

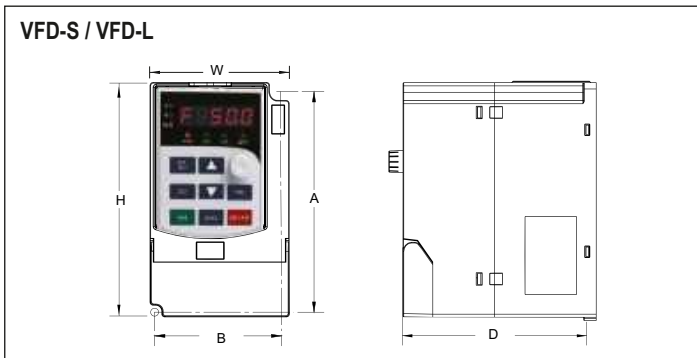


Dimensions of Power Supply (All are in mm)



Product Code	Mounting Dimension		Dimension			Pore Diameter (mm)	Weight (kg)
	length (mm)	wide (mm)	length (mm)	wide (mm)	depth (mm)		
FD100-1-010-C-CE	141	80.5	152	89	123	Φ5.2	1.2
FD100-1-020-C-CE							
FD100-1-030-C-CE							
FD100-3-010-C-CE							
FD100-3-020-C-CE							
FD100-3-030-C-CE							
FD100-3-050-C-CE							

Product code	Mounting dimension		Dimension			Pore diameter
	A (mm)	B (mm)	H (mm)	W (mm)	D (mm)	
FD300-3-050-C-CE	107	175	185	118	167	φ4.5
FD300-3-075-C-CE						
FD300-3-100-C-CE						
FD300-3-150-C-CE	148	235	247	160	190	Φ5.5
FD300-3-200-C-CE						
FD300-3-250-C-CE	205	305	320	220	205	Φ5.5
FD300-3-300-C-CE						
FD300-3-400-C-CE						
FD300-3-500-C-CE	180	416	432	255	234.5	Φ7
FD300-3-600-C-CE						
FD300-3-750-C-CE	244	497	518	300	260	Φ9
FD300-3-1000-C-CE						
FD300-3-1200-C-CE						
FD300-3-1500-C-CE	300	598	620	390	300	Φ11
FD300-3-1750-C-CE						
FD300-3-2100-C-CE						
FD300-3-2100-C-CE	350	745	780	480	360	Φ12
FD300-3-2100-C-CE						



Product code	Mounting dimension		Dimension			Pore diameter (mm)
	A	B	H	W	D	
VFD-S-1-005-230V	141	80.5	150	89	123	5.2
VFD-S-1-010-230V						
VFD-S-1-020-230V						
VFD-S-3-010-415V						
VFD-S-3-020-415V						
VFD-S-3-030-415V						
VFD-SH-3-050-B-415V						
VFD-SN-3-075-B-415V						
VFD-SH-3-075-B-415V	240	148	247	160	173	10
VFD-SN-3-100-B-415V						
VFD-SH-3-100-B-415V						
VFD-SH-3-150-B-415V	305	205	320	220	196.5	10
VFD-SN-3-200-B-415V						
VFD-SH-3-200-B-415V						
VFD-SN-3-250-B-415V						
VFD-L-1-005-230V	141	80.5	152	90	123	5.2
VFD-L-1-010-230V						

OUR FACILITIES



- 9 Facilities in Mahape, Navi Mumbai, India
- Spread over 1.70 Lakhs sq. ft.

MANUFACTURING



- Capacity: 4 Million Products per Year
- 14 SMT Lines
- 27 Injection Moulding Machines
- Assembly & Automated Testing
- 5 Wave Soldering Lines
- 25 Million Plastic Parts per Year

NETWORK

75+
Country presence

280+
Channel partners worldwide

1000+
Employee strength

CERTIFICATIONS



Subsidiaries : **Selec GmbH** | **Selec USA** | **Selec Australia**

Head Office :

Selec Controls Pvt. Ltd.

EL-27/1, Electronic Zone, TTC Industrial Area, MIDC, Mahape, Navi Mumbai 400710, INDIA.

Mob.: +91-9136977315. Email: sales@selec.com | www.selec.com

Selec USA : www.selec.com/us/en | **Selec GmbH** : www.selec-europe.com | **Selec Australia** : www.selec.com/au/en